

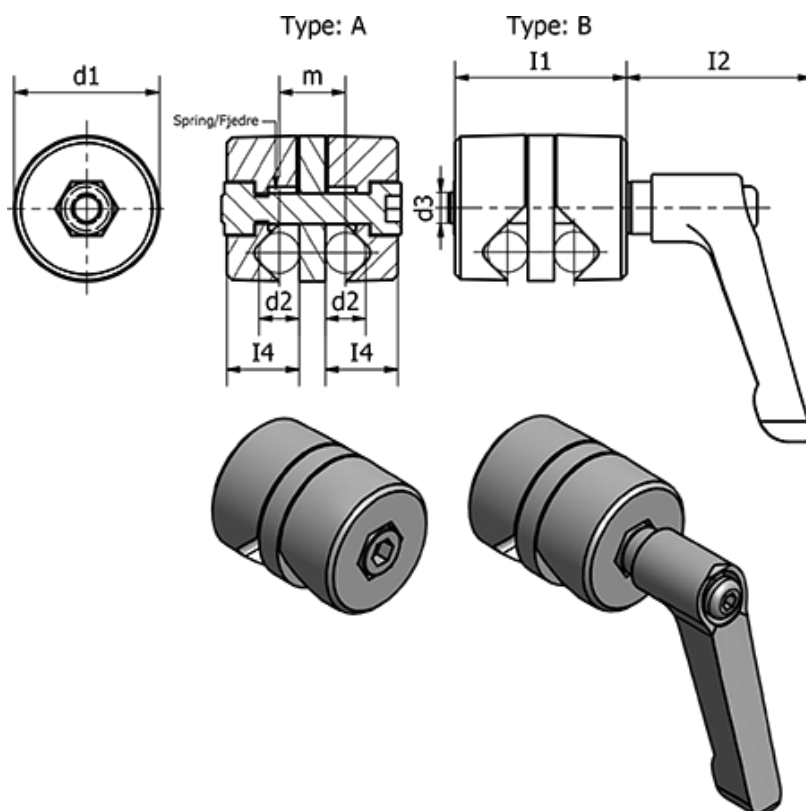
# Data Sheet



Article number: 20490288BMT

Description: E+G Clamp mounting - GN 490-28-8-B-MT

## Measures



$d1 = 28$  |  $m = 13$

$d2 = 8$  | Weight (g) = 80

$d3 = M6$

$I1 = 33$

$I2 = 35$

$I3 = 45$

$I4 = 14$

$I5 = 5$